

SS3060 / SS4090

Dual Frequency Side Scan Sonar



Optional for 300/600kHz or 400/900kHz



High Resolution

With 60kHz bandwidth signal, SS3060 and SS4090 adopt pulse compression or ultra-short pulse transmission to improve the ranging resolution in the across track direction and enhance scanning image resolution too.



Clear Near or Far

Its variable aperture dynamic focusing technology increase the scanning image' s depth of field and effectively resolve side scan sonar traditionally near field blur problem, SS3060 and SS4090 scanning image is very clear no matter near field or far away.



Delicate Image

Innovative image equalization technology combines software of real-time contract adjusting and hardware of 24bits high dynamic AD to enhance the image contrast and definition. This is the reason that SS3060 and SS4090 can present the terrain background image so delicately.



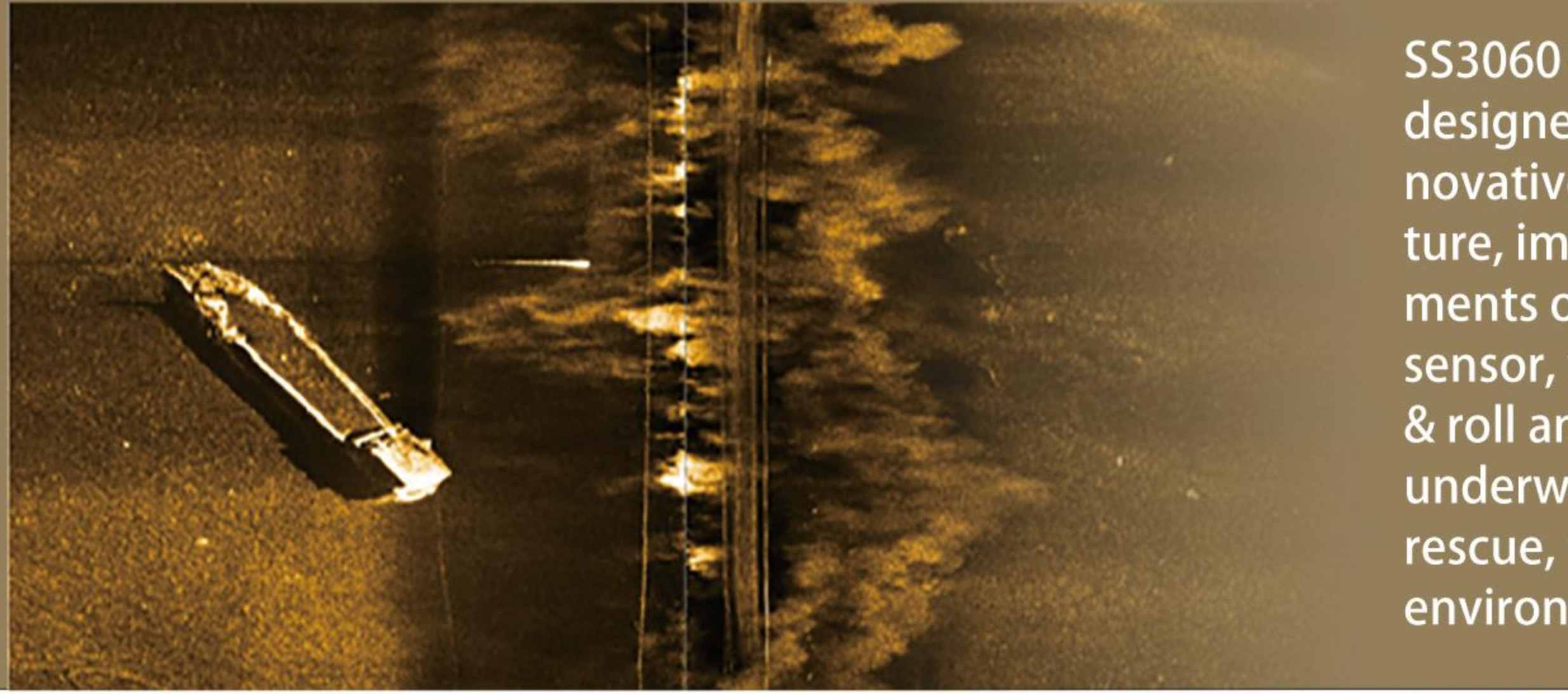
Hydro-Tech

Beijing Hydro-Tech Marine Technology Co.,Ltd.

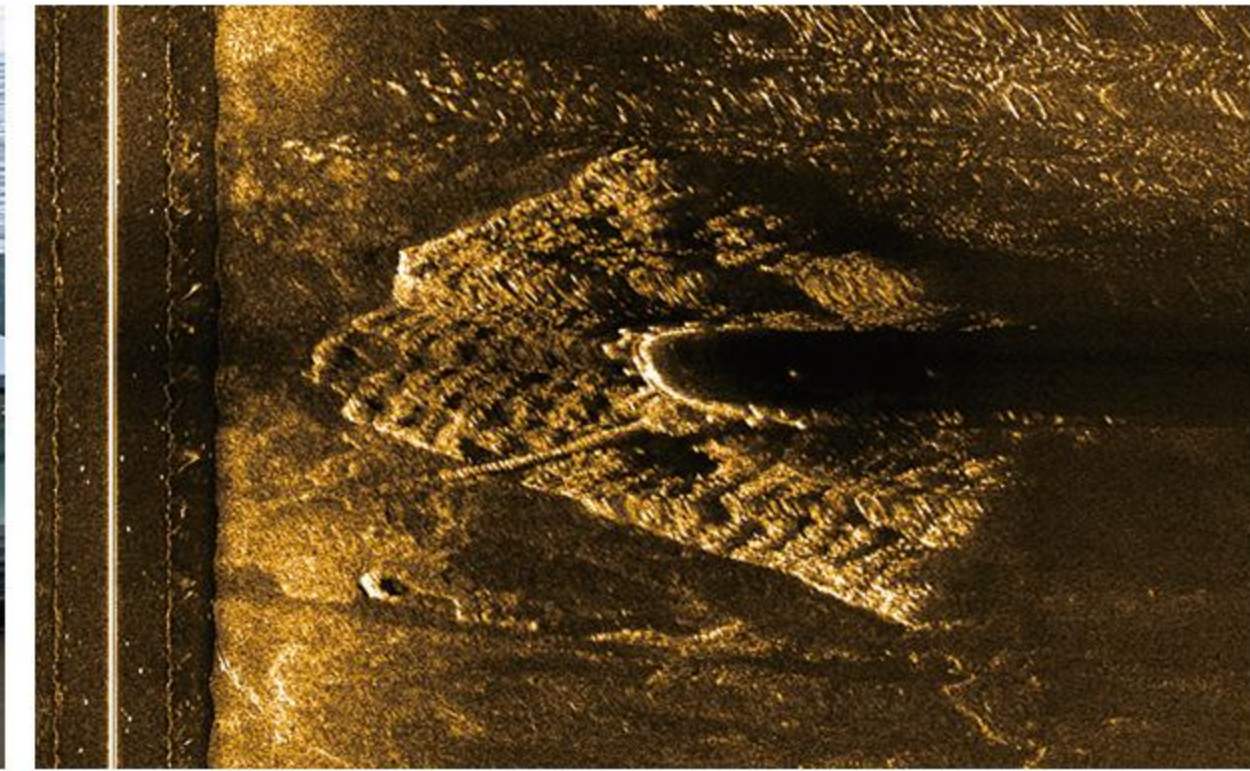
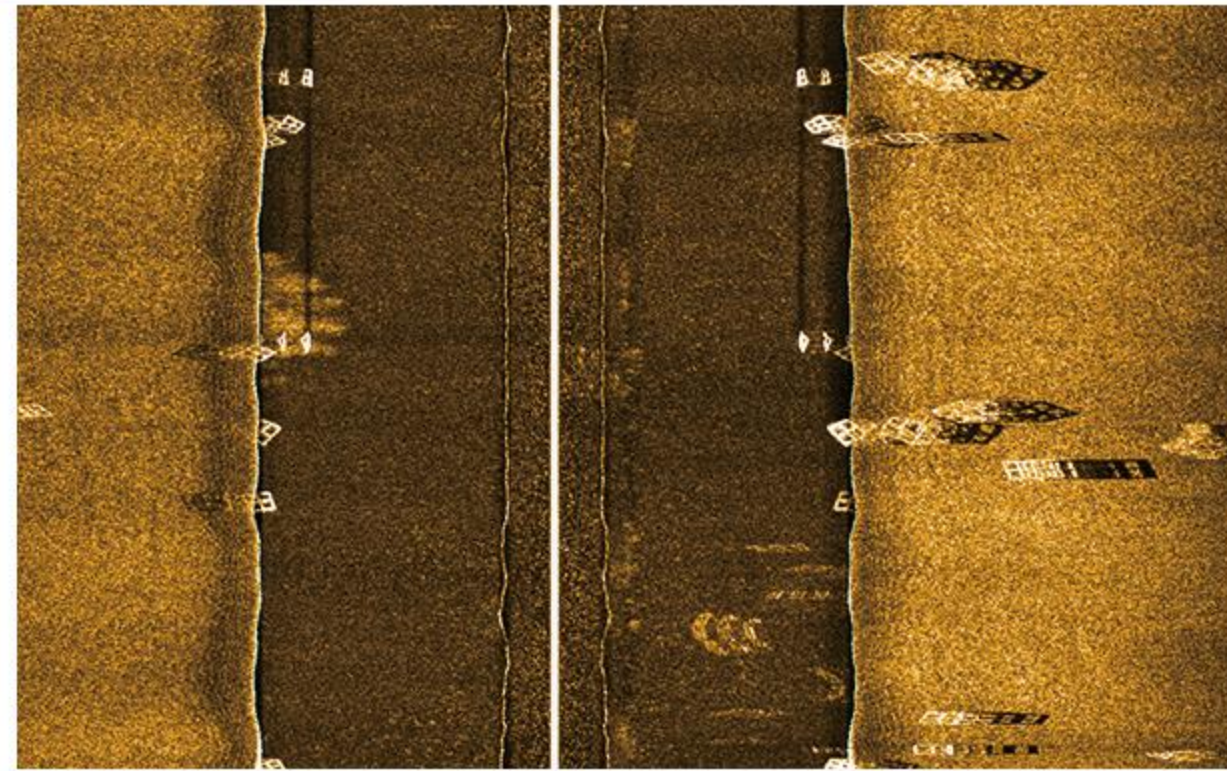


Learn More

SS3060 / SS4090 Dual Frequency Side Scan Sonar



SS3060 and SS4090 is a dual-band broadband high-definition side-scan sonar designed for general survey requirement. The system adopts a number of innovative technologies including broadband signal processing variable aperture, image equalization, 4K HD display technology to fulfill customer requirements on wide scanning range and high definition. It has also built-in gyro sensor, which can measure the status of underwater towfish, including pitch & roll and heading. It has been widely used in shallow water applications of underwater infrastructure inspection, pipeline investigation, emergency and rescue, underwater archaeological survey, marine pasture investigation and environmental protection hidden etc.



Applications



Construction Inspection



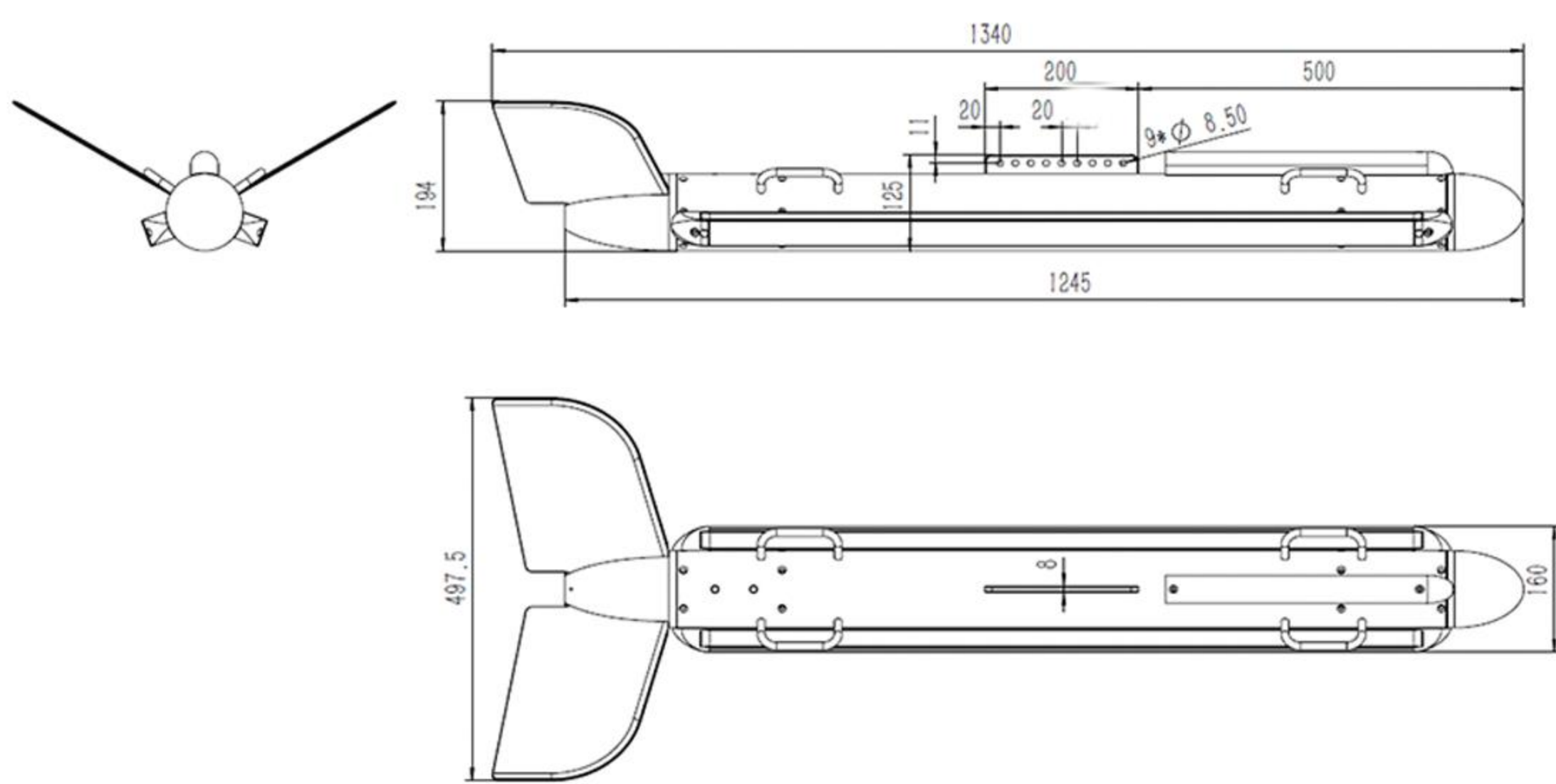
Emergency and Rescue



Pipeline Investigation



Archaeological Survey



Software

Display & Control Software HydroSonar

Other Software Compatible with Hypack or SonarWiz



Technical Specifications

Working Frequency	300kHz / 600kHz (SS3060) 400kHz / 900kHz (SS4090)
Signal Bandwidth	60kHz
Max Slant Range	230m @300kHz / 120m @600kHz 150m @400kHz / 75m @900kHz
Horizontal Beam Width	0.28°@300kHz / 0.26°@600kHz 0.21°@400kHz / 0.2°@900kHz
Vertical Beam Width	50°
Across Track Resolution	2.5cm @300kHz / 1.25cm @600kHz 1.25cm @400kHz / 1cm @900kHz
Along Track Resolution	300kHz: 0.24m @50m; 0.49m @ 100m; 0.73m @150m 600kHz: 0.09m @20m; 0.23m @50m; 0.34m @75m 400kHz: 0.18m @50m; 0.27m @ 75m; 0.37m @100m 900kHz: 0.07m @20m; 0.17m @50m; 0.26m @75m
Signal Type	CW/Chirp
Working Depth	300m
Auxiliary Sensors	Pressure, roll, pitch & heading



Physical Specifications

Towfish Size	φ100 x 1200mm
Towfish Weight	25kg (In Air) / 12kg (In water)
Sonar Interface Module Size	208 x 127 x 66 mm
Sonar Interface Module Weight	1.6kg
Power Supply	DC 20-36V or AC 110-240V
Power Consumption	60W
Cable Length	Standard 50m (200m Optional)
Data Interface	Ethernet Cable
Working Temperature	-2° ~ 40°C
Storage Temperature	-20°C ~ 55°C

**All spec. above is subject to change without notice